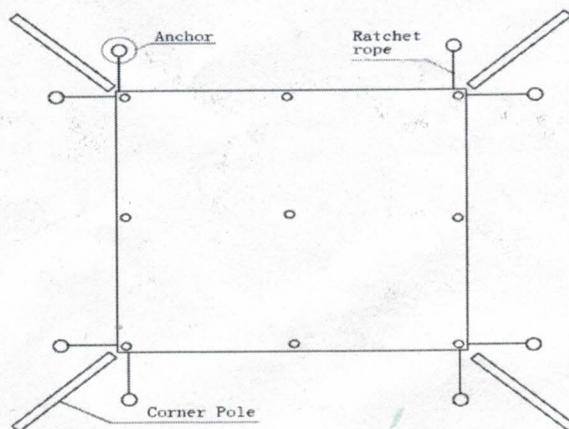
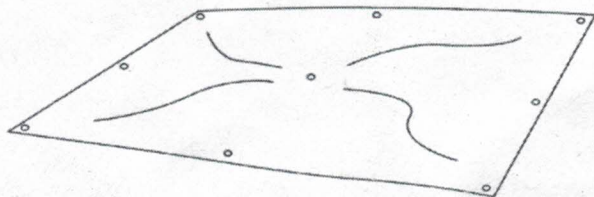


20X20 POLE TENT INSTRUCTION GUIDE

PART LIST

Description	Item No.	QTY	Picture
Side Pole	A B	8	
Center Pole	C E	1	
Center Pole	D	2	
Stakes	-	12	
Adjustable Rope	-	12	

Installation:

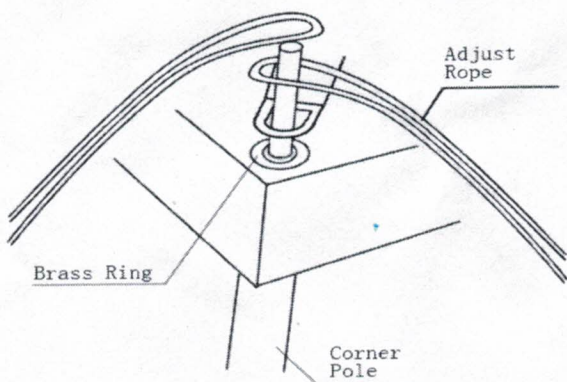


STEP 1

Unroll and unfold the tent top on the desired sport to be covered. Keep the tent top as square as possible. Pull the perimeter of the tent as tight as possible, the center of the tent top will not be tight or lay flat due to the peak of the tent.

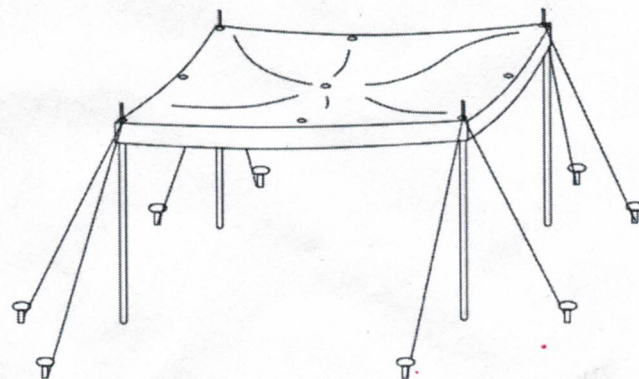
STEP 2

Layout all the hard ware around the tent as show, placed anchors approximately 4' from the grommet locations. 1 pole to each grommet location. Connect the 2 piece center pole together.



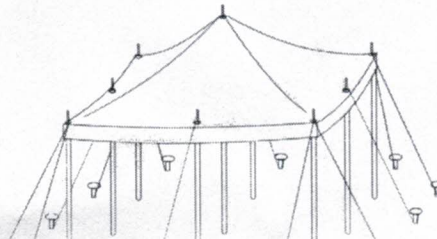
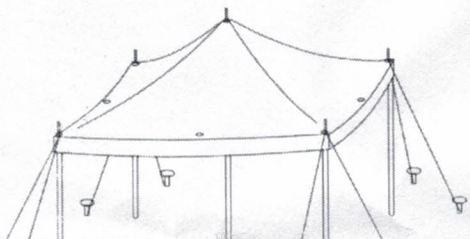
STEP 3

Insert the corner pole pin through "D" ring, and brass grommet. Set two pieces of adjust rope on the pole pin.



STEP 4

Set the corner pole leaning in towards the tent at 90 angle. Repeat all 4 corners. And tie the rope on the anchors. Adjust the handle to strength the rope to make all poles stable.



STEP 5

Insert the center pole tip through the center "D" ring and brass grommet, make sure that the pin is not caught on any part of the tent top. Push the center pole into a vertical position.

STEP 6

With the corner poles and center pole vertically straight, We will add the remaining side poles. Insert the pole pins at each location, through the "D" ring and brass grommet and cover with one adjust rope for each pole. Put the pole at straight vertical position. Tie the ropes on the anchors.

Warning !!!

1. The tent is designed for party or weding, no use for storage.
2. It is necessary to put the tent down in case of bad weather.
3. We can not be held for responsible in case of bad use improper set up or damage by bad weather.